

FIG. 1

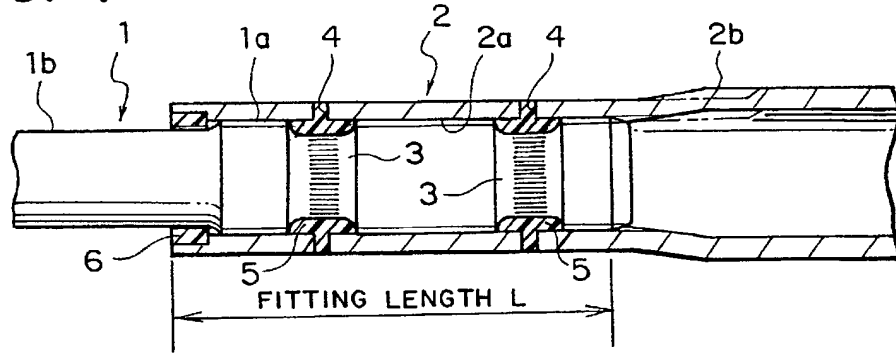


FIG. 2

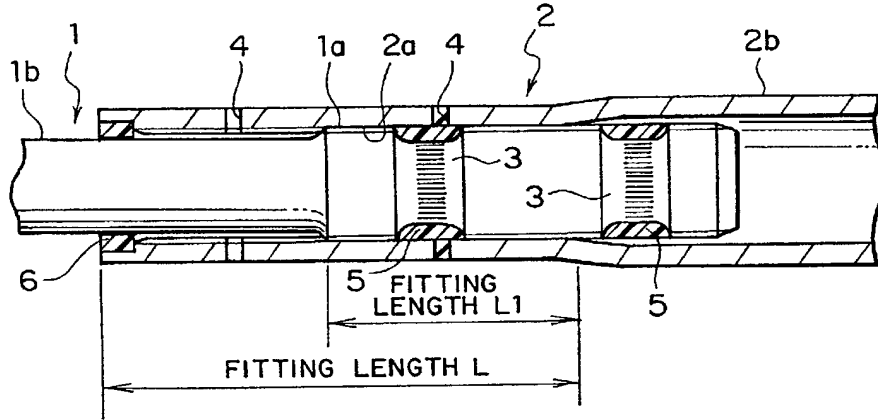
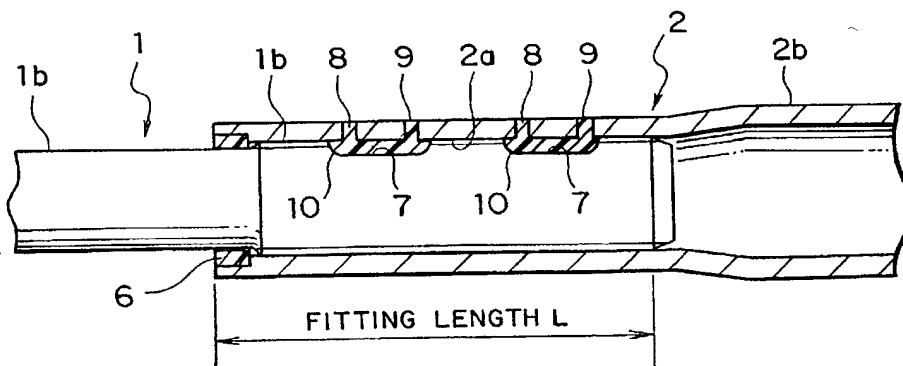


FIG. 3



09/936564

FIG. 4

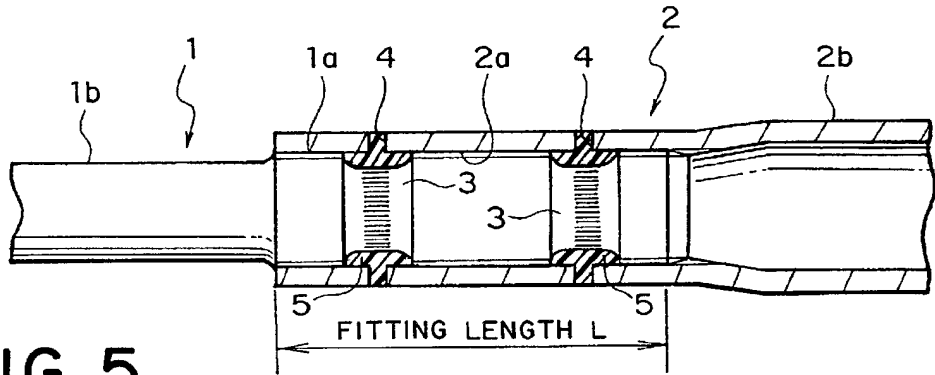


FIG. 5

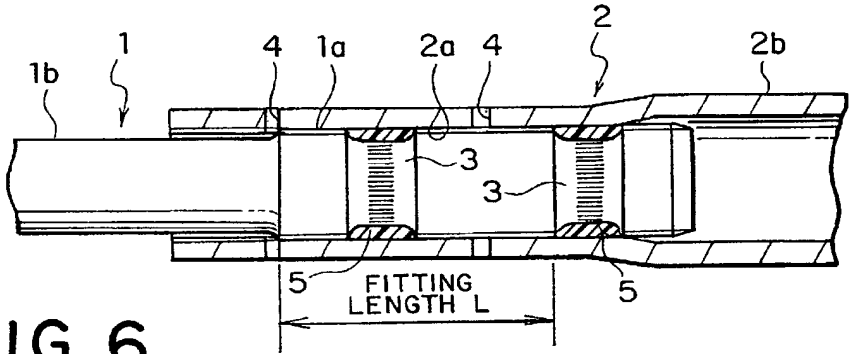
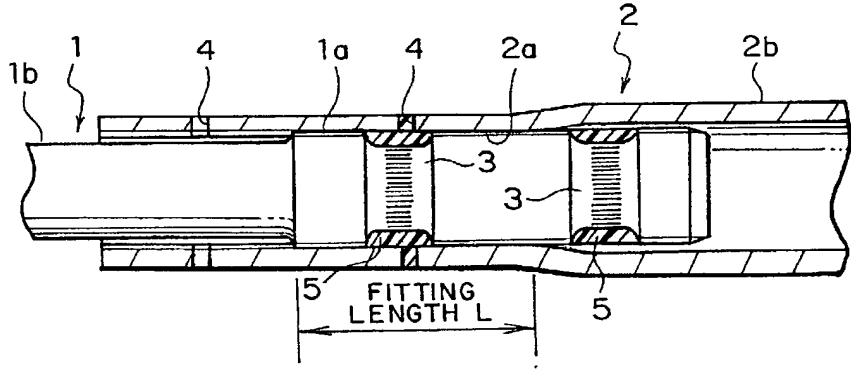


FIG. 6



FOOTED 4999660